

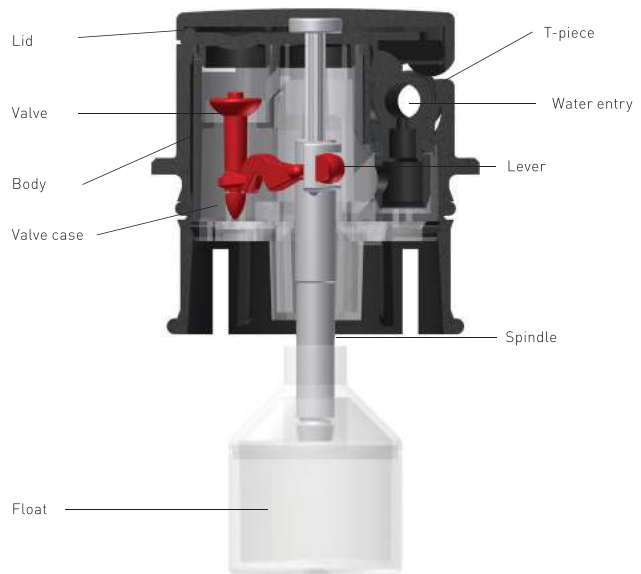
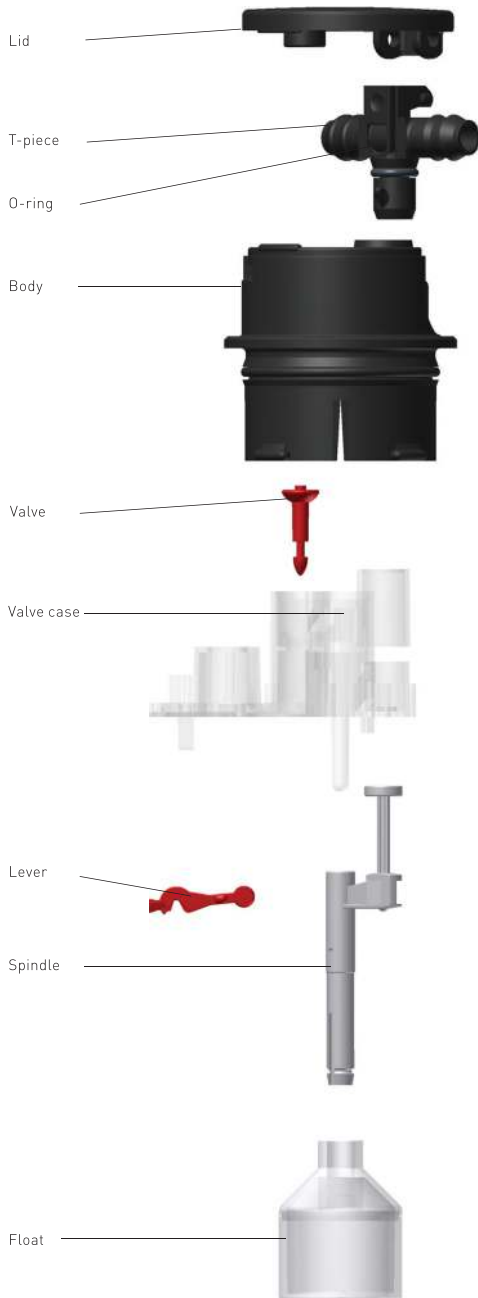
Technical Data

Technical data

Float stroke	4,0mm / .157"
Valve stroke	1,6mm / .063"
Leverage	2,4:1
Filling pressure	min. 0,2 bar / 2.9 psi max. 3,8 bar / 55 psi

Flow rate with 6 plugs in series at pressure

0,3 bar / 4.4 psi	1640 ml/min
0,4 bar / 5.8 psi	2030 ml/min
0,5 bar / 7.3 psi	2420 ml/min
1,0 bar / 14.5 psi	3600 ml/min



All parts are assembled by means snap-in, no glue, no heat seal. All parts can be recycled at end of life cycle.



NSW- HEAD OFFICE | Building 2, 19 Davis Road, Wetherill Park NSW 2164

VICTORIA | 16 Wayne Court, Dandenong VIC 3175

QUEENSLAND | Unit 171B, 49 Station Rd, Yeerongpilly QLD 4105

SOUTH AUSTRALIA | 94 Research Rd, Pooraka SA 5095

WESTERN AUSTRALIA | 14/96 - 100 Briggs Street, Weshpool WA 6106

1300 877 531

ceilpower.com.au
info@ceilpower.com.au